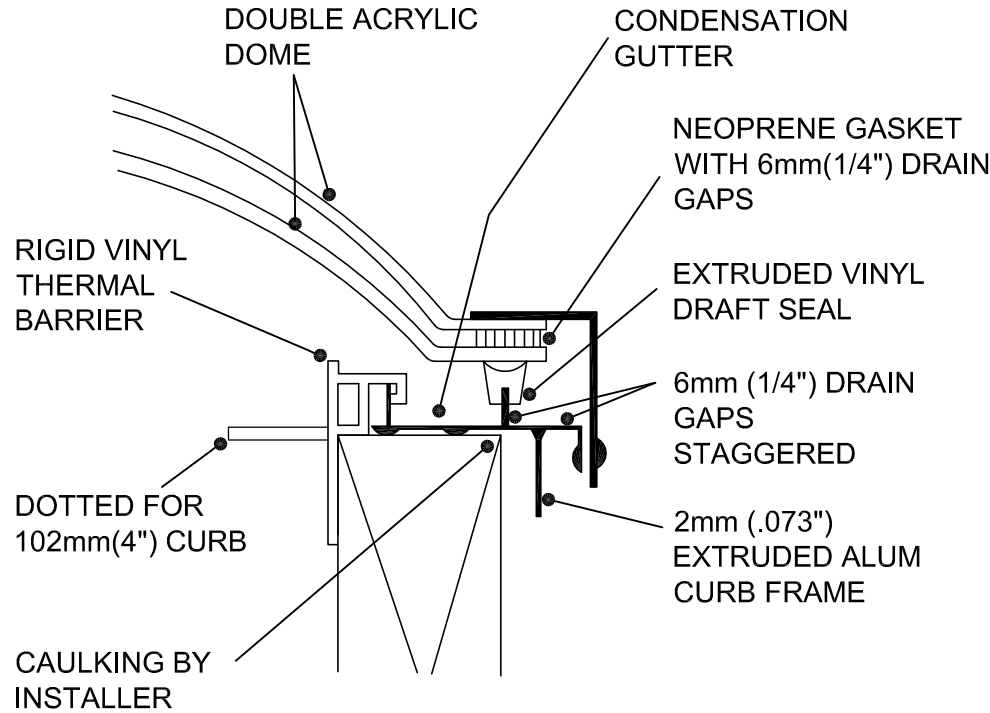


SELECTION DATA

NO-FROST FRAME



<p>THE USE OF THIS DRAWING IS RESTRICTED TO INSTRUCTIONS RECEIVED FROM ARCHITECTURAL PLASTICS LTD.</p> <p>COPYRIGHT RESTS WITH ARCHITECTURAL PLASTICS LTD. AT ALL TIMES</p>		<p>Architectural Plastics Limited <small>707 Arrow Rd., Weston, Ont. M9M 2L4 AREA CODE 416 749-7070</small></p>	
	TITLE	DATE	
	PROJECT	SCALE	
	ARCH.	DRWN BY	
	GEN. CONT.	DRAWG. No.	