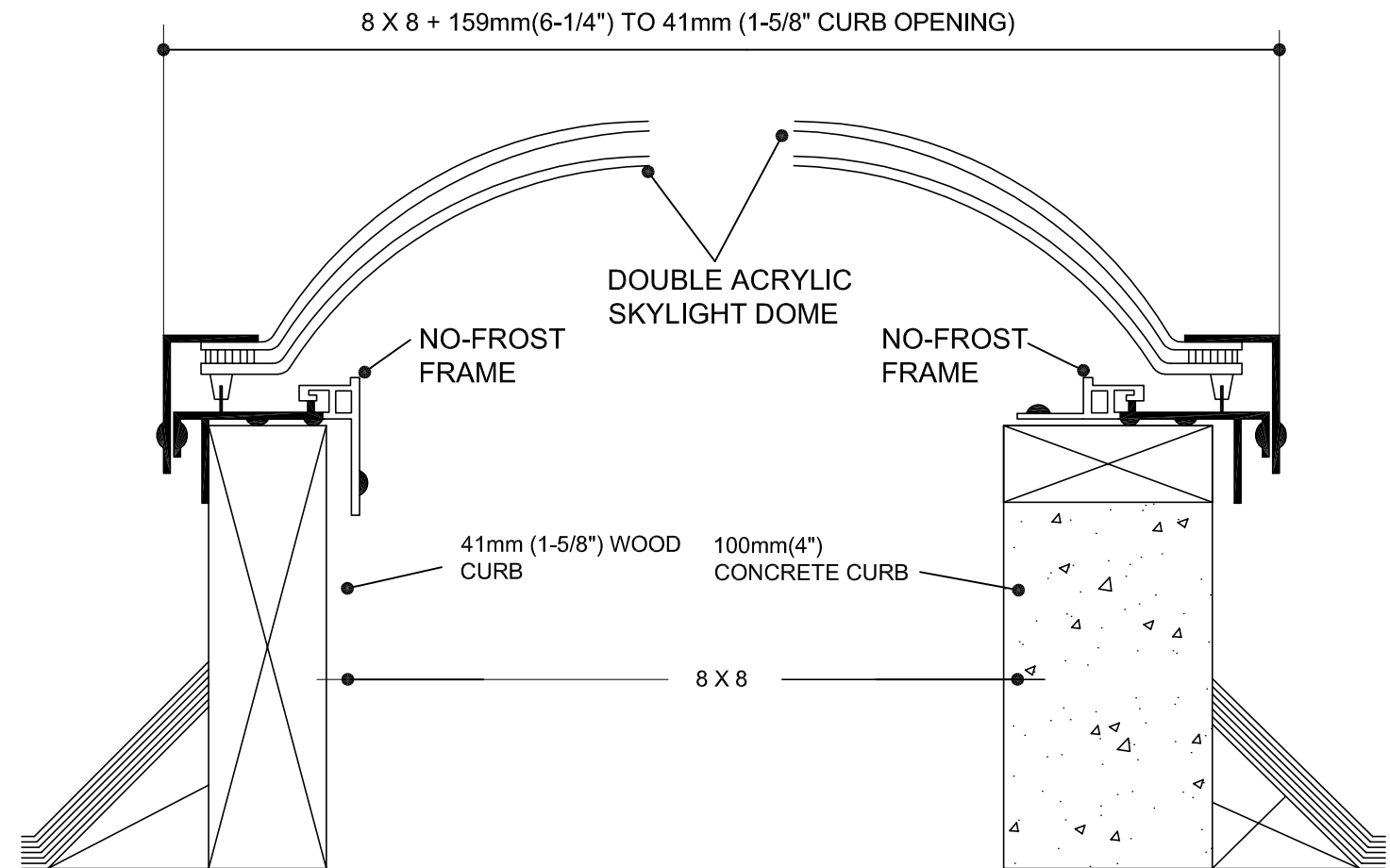


# DOUBLE DOME SKYLIGHTS ALUMINIUM



<p>THE USE OF THIS DRAWING IS RESTRICTED TO INSTRUCTIONS RECEIVED FROM ARCHITECTURAL PLASTICS LTD.</p> <p>COPYRIGHT RESTS WITH ARCHITECTURAL PLASTICS LTD. AT ALL TIMES</p>	 <b>Architectural Plastics Limited</b> <small>707 Arrow Rd., Weston, Ont. M9M 2L4 AREA CODE 416 749-7070</small> 	
	TITLE	DATE
	PROJECT	SCALE
	ARCH.	DRW'N BY
	GEN. CONT.	DRAWG. No.