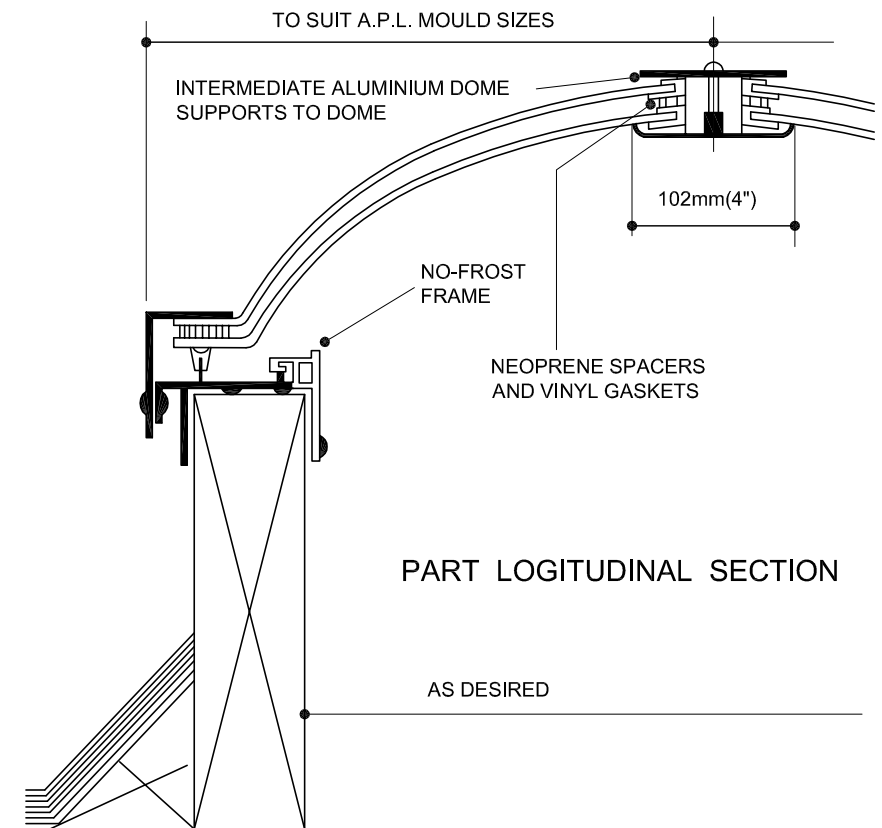
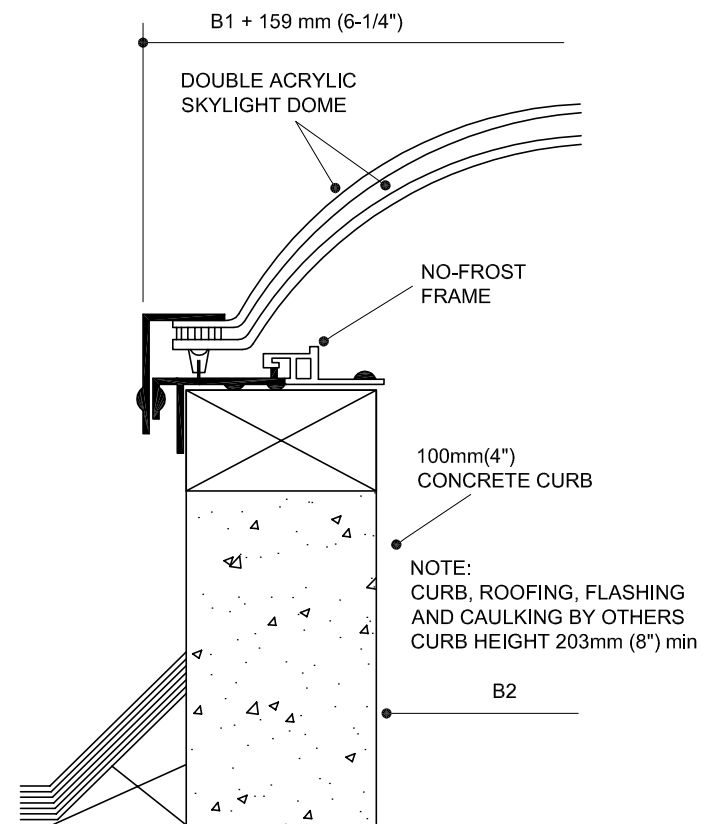
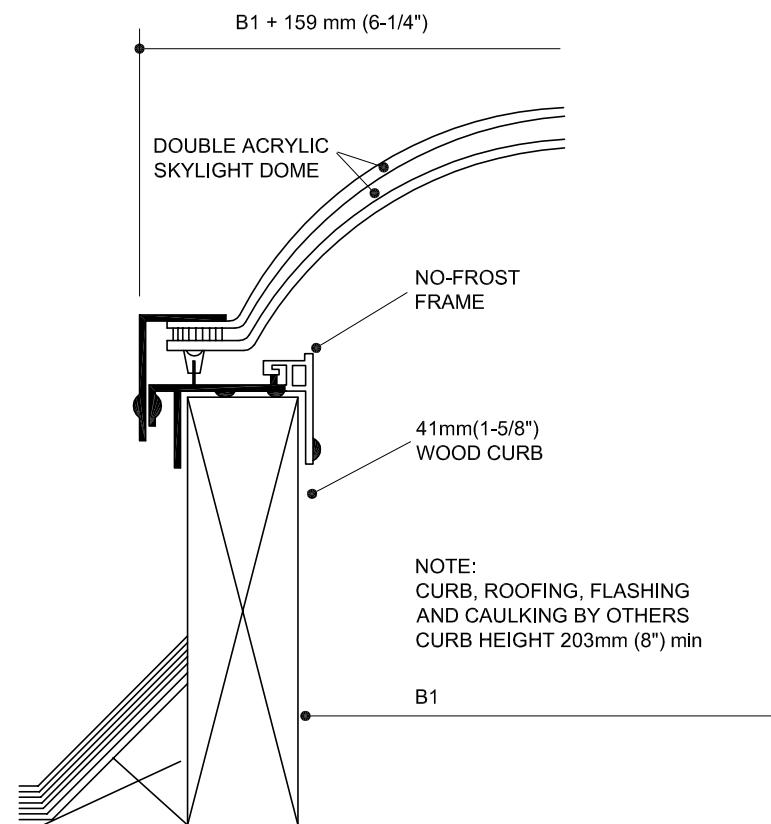


CONTINUOUS SKYLIGHTS (THERMALLY FORMED DOMES)



THE USE OF THIS DRAWING IS RESTRICTED TO INSTRUCTIONS RECEIVED FROM ARCHITECTURAL PLASTICS LTD. COPYRIGHT RESTS WITH ARCHITECTURAL PLASTICS LTD. AT ALL TIMES	Architectural Plastics Limited <small>707 Arrow Rd., Weston, Ont. M9M 2L4 AREA CODE 416 749-7070</small>	
	TITLE	DATE
	PROJECT	SCALE
	ARCH.	DRW'N BY
	GEN. CONT.	DRAWG. No.